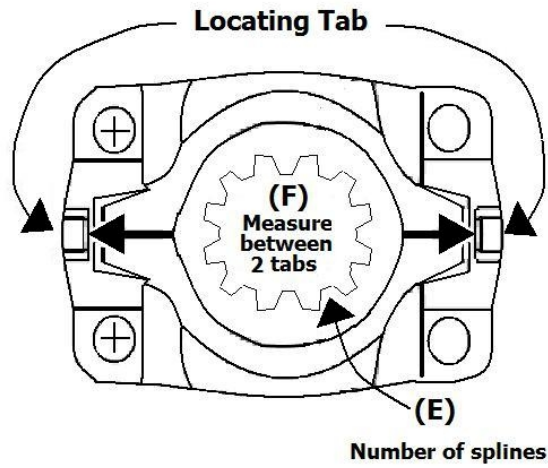


# Valley Balancing

## Diagram 3

# 209-538-8956

If measuring for proper u-joint size of existing pinion yoke or measuring to purchase a new pinion yoke, MEASURE AS SHOWN.



Yoke used by Chrysler, Ford,  
& General Motors

